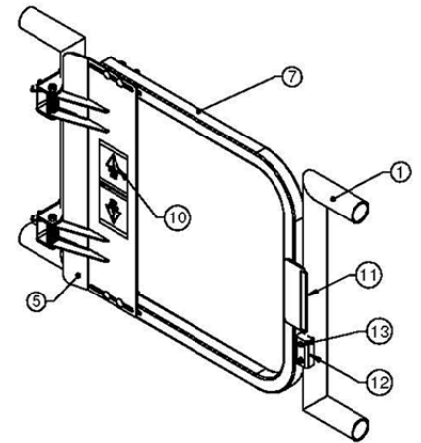
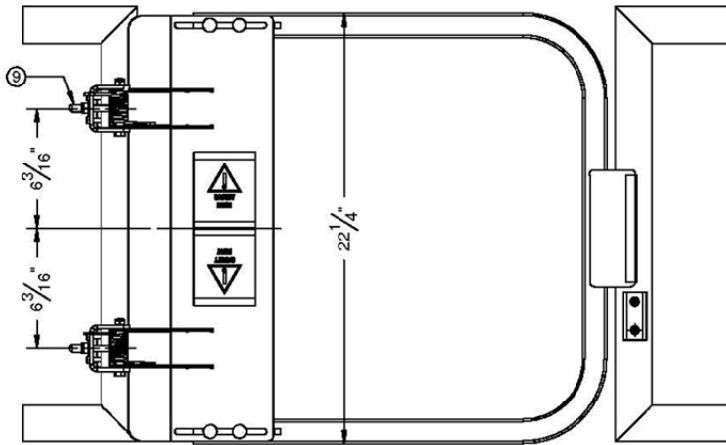
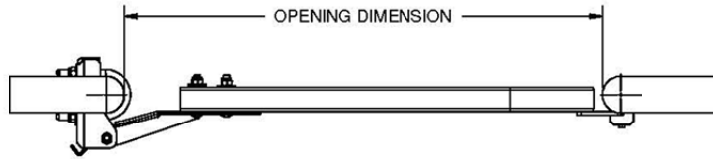


Model #	Description	Opening Ranges
LSG-18-ALU	Ladder Safety Gate ALUM 18	16-3/4" - 20-1/2"
LSG-21-ALU	Ladder Safety Gate ALUM 21	19-3/4" - 23-1/2"
LSG-24-ALU	Ladder Safety Gate ALUM 24	22-3/4" - 26-1/2"
LSG-27-ALU	Ladder Safety Gate ALUM 27	25-3/4" - 29-1/2"
LSG-30-ALU	Ladder Safety Gate ALUM 30	28-3/4" - 32-1/2"
LSG-33-ALU	Ladder Safety Gate ALUM 33	31-3/4" - 35-1/2"
LSG-36-ALU	Ladder Safety Gate ALUM 36	34-3/4" - 38-1/2"

ITEM NO.	PART NO.	DESCRIPTION	QTY.	U/M
2		Washer; Flat 5/16" Zn	8	
4	501126	Nut; Nylock 5/16" 18 Zn	8	EA
7		LSG; Hoop-24-MS	1	
8		LSG; Strike Plate-ALUM	1	
9		LSG; Cap Plastic for 5/16 bolt	4	
10	500569	DECAL; FALL HAZARD WARN STICKER	1	EA
11		WS; Single Lip Trim, .390X.52	1	
12		LSG; UHMW Support Block	1	
13		Screw; Hex Drill 1/4x2Zn	2	



FINISH:	
FABRICATION ONLY:	PART #:
PRODUCT LINE:	DATE:
PROFILE:	SCALE: NTS
PRODUCT CODE: LSG	SHEET #: 1 OF 1
CHECKED:	DWG REV: 0

<b>PROPRIETARY AND CONFIDENTIAL</b> DRAWINGS ARE EXCLUSIVE PROPERTY OF PRODUCTION SPECIALTIES CORPORATION, dba PS DOORS AND CANNOT BE USED IN WHOLE OR PART WITHOUT WRITTEN CONSENT. © 2012 PS DOORS ALL RIGHTS RESERVED	PRODUCT DESCRIPTION: Ladder Safety Gate Alum XX		SNWO: 18XXX
	CUSTOMER: REF. ONLY	DWG STATUS: <b>REFERENCE DRAWING - NOT FOR CONSTRUCTION</b>	
	CUSTOMER PO #:	ESTIMATED PART WEIGHT:	
	SALES ORDER NAME:	DWG #: Alum hinge Assy	DWG BY: rbuchholz
FOLDING MACHINE PROGRAM #:	SALES ORDER #		
WATERJET PROGRAM #:			