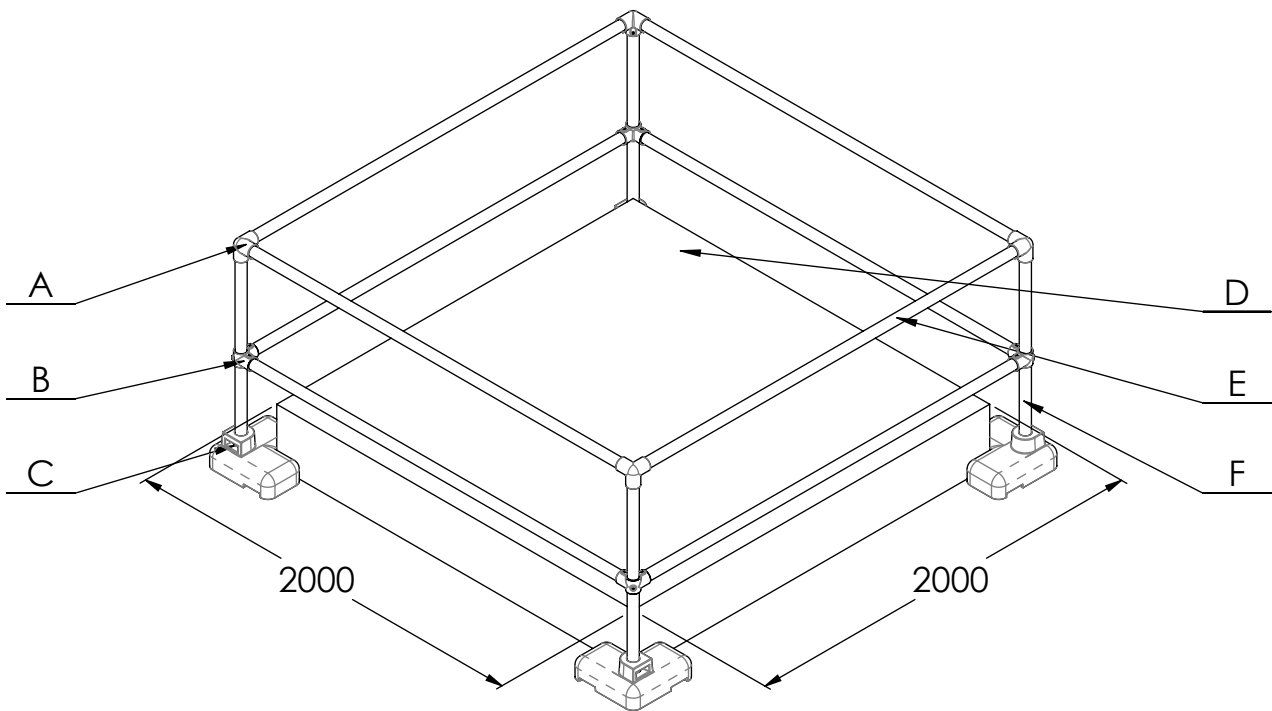




SAFETY AT THE HIGHEST LEVEL

Kee Dome Technical Datasheet Pack



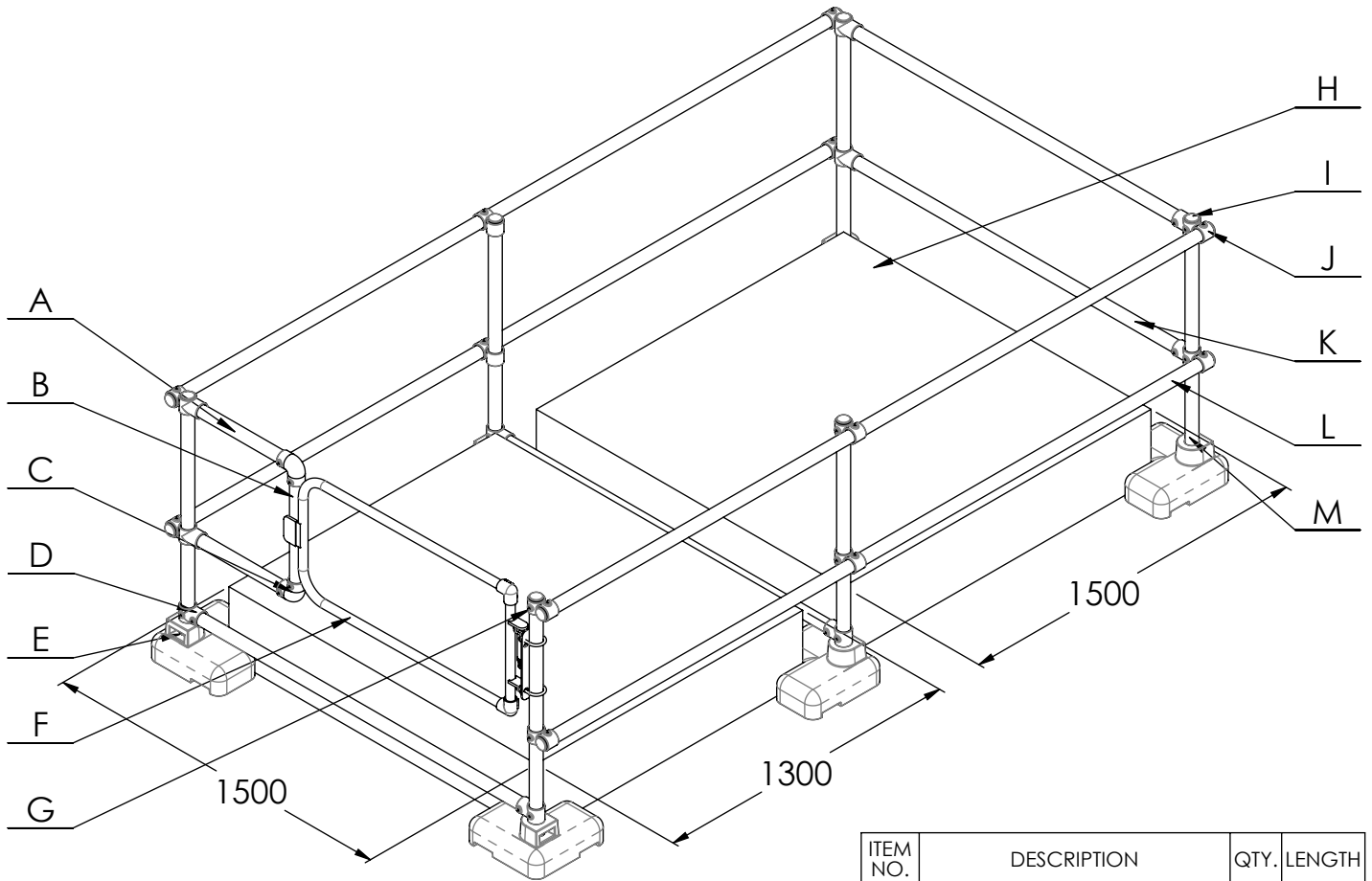
Revision 3
Issued June 2017

Technical Datasheet No: 0001

KDH1 - KEE DOME HATCH GUARD WITH GATE 1.5m Max X 3.2m Max

Part No: KDH181810

Short Part No: KDH1



| ITEM NO. | DESCRIPTION | QTY. | LENGTH |
|----------|---|------|--------|
| A | D RETURN RAIL | 2 | 480 |
| B | D RETURN UPRIGHT | 1 | 495 |
| C | 15-8 90° ELBOW | 2 | |
| D | 10-8 SINGLE SOCKET TEE | 4 | |
| E | 75-8 COLLAR | 6 | |
| F | SINGLE EU GATE - GALVANISED | 1 | |
| G | 45-8 CROSSOVER | 6 | |
| H | 250-8 SKYLIGHT BASE WEIGHT | 6 | |
| I | 77-8 PLASTIC PLUG | 14 | |
| J | 46-8 COMBINATION SOCKET TEE AND CROSSOVER | 6 | |
| K | RAIL SIZE 8 | 4 | 1650 |
| L | RAIL SIZE 8 | 4 | 3260 |
| M | UPRIGHT | 6 | 1086 |

APPLICATION

The Kee Dome® range has been designed specifically to provide protection for personnel accessing near to fragile rooflights whilst carrying out maintenance or inspections on a flat roof. The system is modular in design. The system is a modular design and features recycled PVC bases which lock the posts into position around the rooflight's perimeter. Kee Klamp® fittings and standard length tubes (1.5, 2.0 and 3.2m) provide a rigid frame around the rooflight. Adjustable clamping rings fix the feet securely to the corners of the rooflight base, which can be up to 4m² in area.

COMPONENT SPECIFICATION

| | |
|----------|--|
| Material | MALLEABLE CAST IRON, MILD STEEL, PVC, POLYETHYLENE |
| Finish | GALVANISED, NATURAL |
| Weight | 221 kg |

Issue Date: 21/06/2017

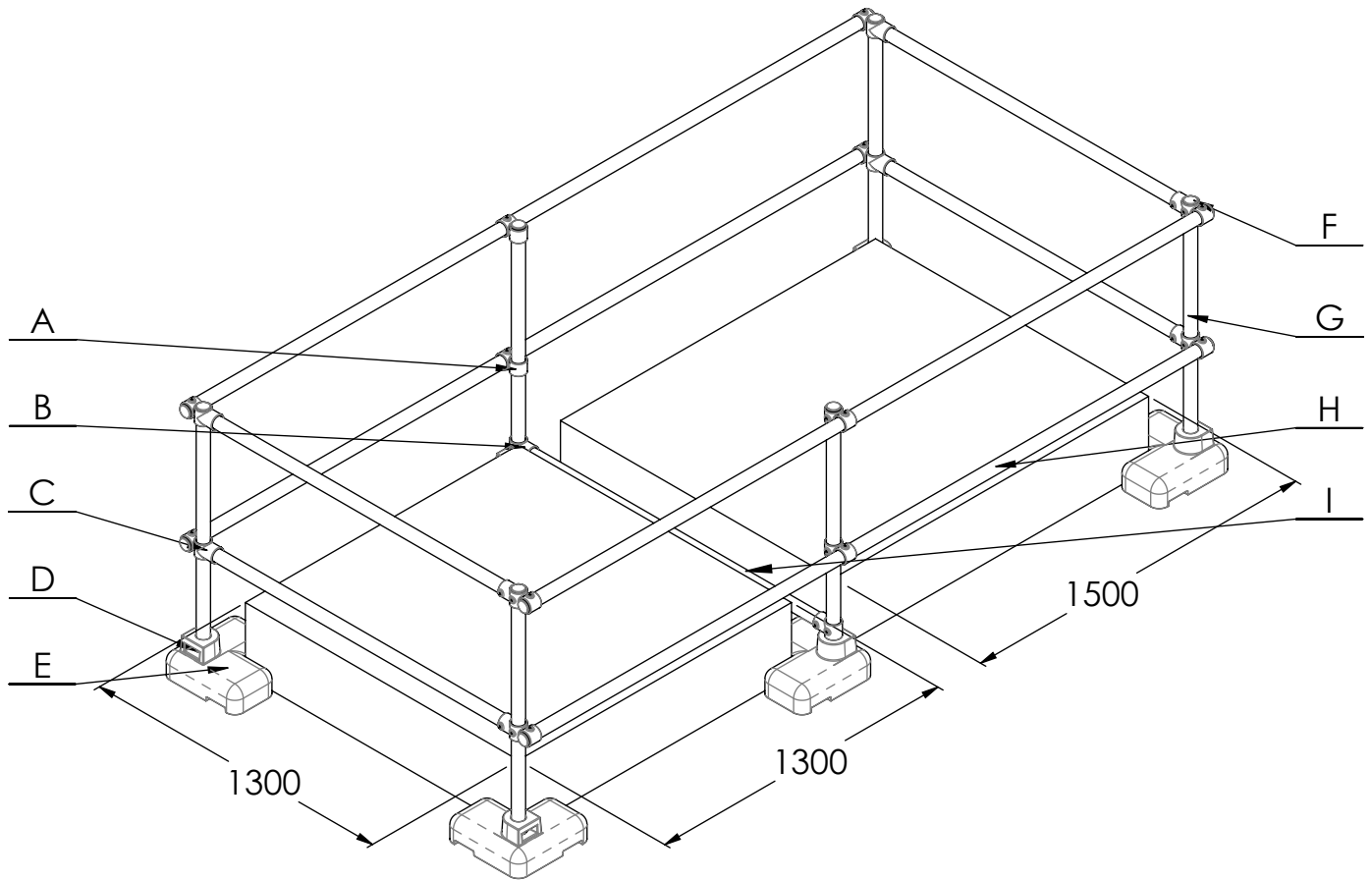
Issue No: 2

Technical Datasheet No: 0002

KDH2 - KEE DOME SMOKE EXTRACTOR GUARD 1.5m Max X 3.2m Max

Part No: KDH281810

Short Part No: KDH2



| ITEM NO. | DESCRIPTION | QTY. | LENGTH |
|----------|---|------|--------|
| A | 45-8 CROSSOVER | 4 | |
| B | 10-8 SINGLE SOCKET TEE | 2 | |
| C | 46-8 COMBINATION SOCKET TEE AND CROSSOVER | 8 | |
| D | 75-8 COLLAR | 6 | |
| E | 250-8 SKYLIGHT BASE WEIGHT | 6 | |
| F | 77-8 PLASTIC PLUG | 14 | |
| G | UPRIGHT | 6 | 1086 |
| H | RAIL SIZE 8 | 4 | 3260 |
| I | RAIL SIZE 8 | 5 | 1450 |

APPLICATION

The Kee Dome® range has been designed specifically to provide protection for personnel accessing near to fragile rooflights whilst carrying out maintenance or inspections on a flat roof. The system is modular in design. The system is a modular design and features recycled PVC bases which lock the posts into position around the rooflight's perimeter. Kee Klamp® fittings and standard length tubes (1.5, 2.0 and 3.2m) provide a rigid frame around the rooflight. Adjustable clamping rings fix the feet securely to the corners of the rooflight base, which can be up to 4m² in area.

COMPONENT SPECIFICATION

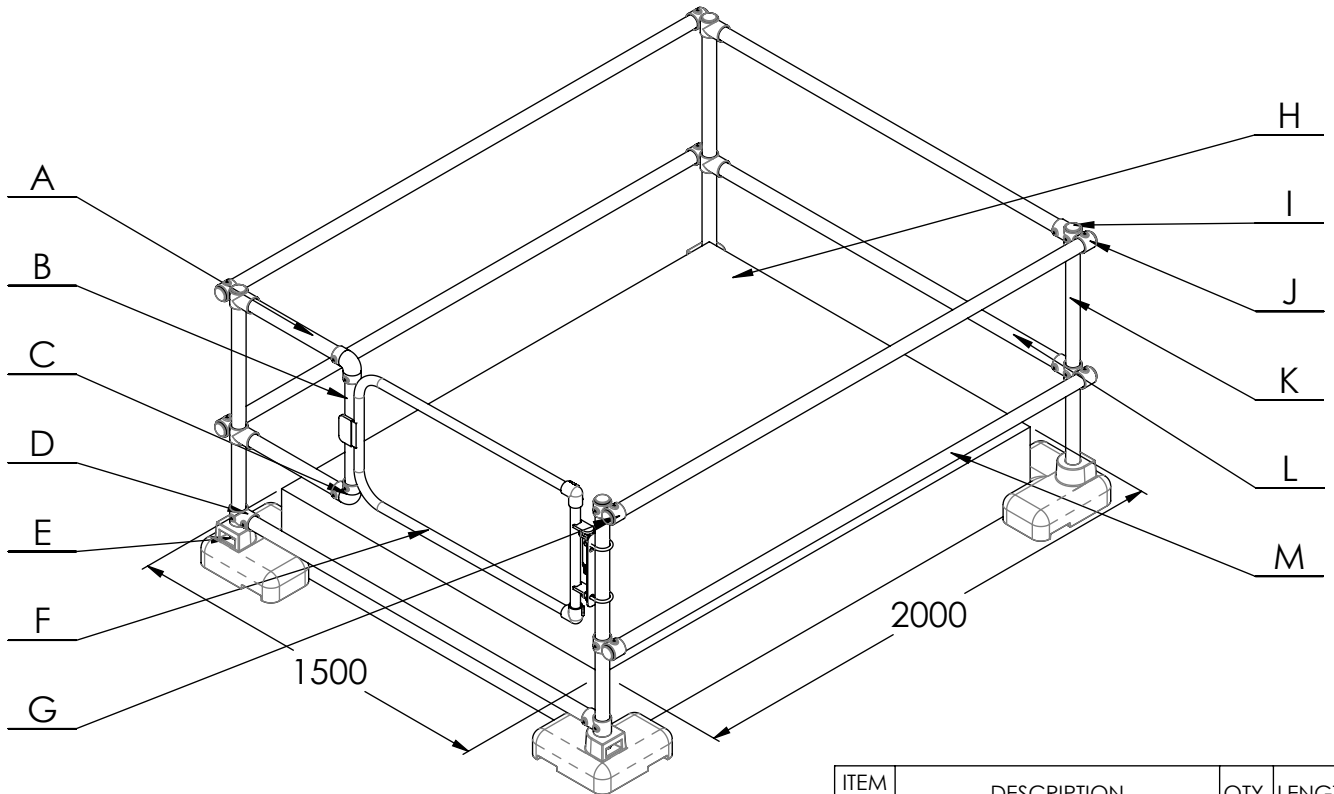
| | |
|----------|--|
| Material | MALLEABLE CAST IRON, MILD STEEL, PVC, POLYETHYLENE |
| Finish | GALVANISED, NATURAL |
| Weight | 200 kg |

Technical Datasheet No: 0003

KDH3 - KEE DOME HATCH GUARD SHORT

Part No: KDH315210

Short Part No: KDH3



| ITEM NO. | DESCRIPTION | QTY. | LENGTH |
|----------|---|------|--------|
| A | D RETURN RAIL | 2 | 480 |
| B | D RETURN UPRIGHT | 1 | 495 |
| C | 15-8 90° ELBOW | 2 | |
| D | 10-8 SINGLE SOCKET TEE | 2 | |
| E | 75-8 COLLAR | 4 | |
| F | SINGLE EU GATE - GALVANISED | 1 | |
| G | 45-8 CROSSOVER | 2 | |
| H | 250-8 SKYLIGHT BASE WEIGHT | 4 | |
| I | 77-8 PLASTIC PLUG | 12 | |
| J | 46-8 COMBINATION SOCKET TEE AND CROSSOVER | 6 | |
| K | UPRIGHT | 4 | 1086 |
| L | RAIL SIZE 8 | 3 | 1650 |
| M | RAIL SIZE 7 | 4 | 2260 |

APPLICATION

The Kee Dome® range has been designed specifically to provide protection for personnel accessing near to fragile rooflights whilst carrying out maintenance or inspections on a flat roof. The system is modular in design. The system is a modular design and features recycled PVC bases which lock the posts into position around the rooflight's perimeter. Kee Klamp® fittings and standard length tubes (1.5, 2.0 and 3.2m) provide a rigid frame around the rooflight. Adjustable clamping rings fix the feet securely to the corners of the rooflight base, which can be up to 4m² in area.

COMPONENT SPECIFICATION

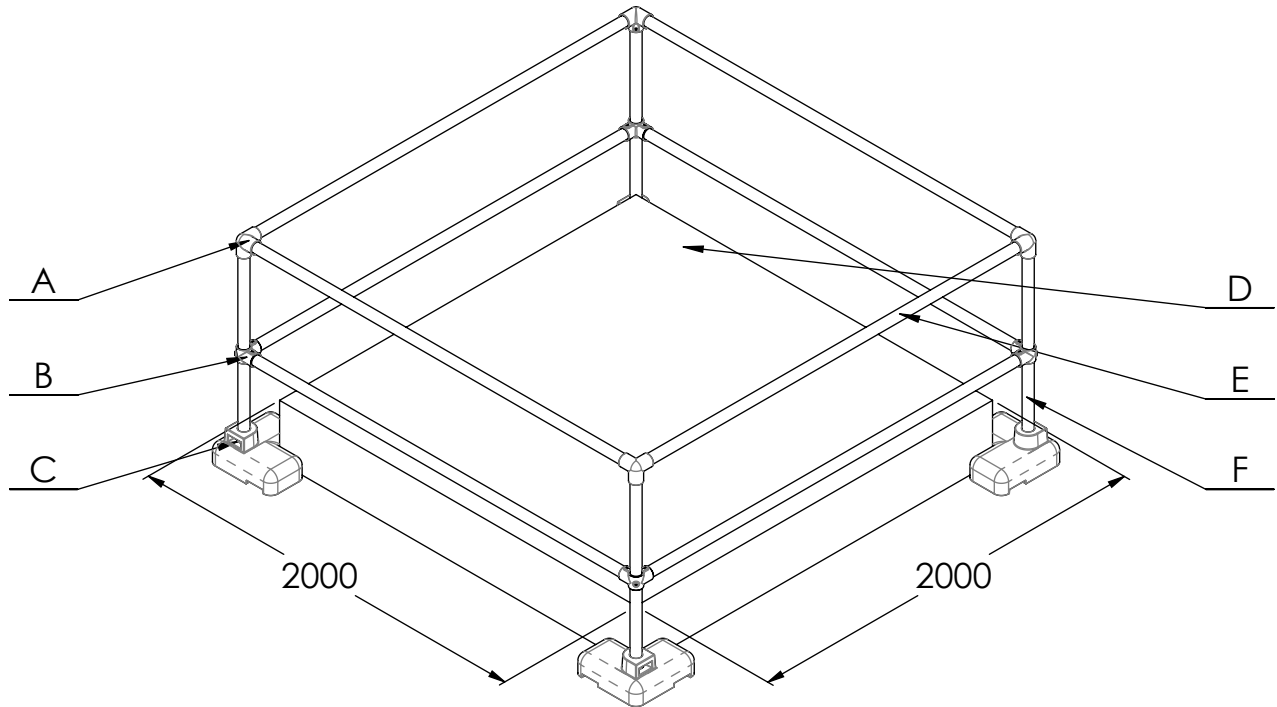
| | |
|----------|--|
| Material | MALLEABLE CAST IRON, MILD STEEL, PVC, POLYETHYLENE |
| Finish | GALVANISED, NATURAL |
| Weight | 130 kg |

Technical Datasheet No: 0004

KDK2 - KEE DOME KWIK KIT FOR 2.0m X 2.0m

Part No: KDK200010

Short Part No: KDK2



| ITEM NO. | DESCRIPTION | QTY. | LENGTH |
|----------|----------------------------|------|--------|
| A | 20-8 SIDE OUTLET ELBOW | 4 | |
| B | 21-8 SIDE OUTLET TEE | 4 | |
| C | 75-8 COLLAR | 4 | |
| D | 250-8 SKYLIGHT BASE WEIGHT | 4 | |
| E | RAIL SIZE 8 | 8 | 2150 |
| F | UPRIGHT SIZE 8 | 4 | 1030 |

APPLICATION

The Kee Dome® range has been designed specifically to provide protection for personnel accessing near to fragile rooflights whilst carrying out maintenance or inspections on a flat roof. The system is modular in design. The system is a modular design and features recycled PVC bases which lock the posts into position around the rooflight's perimeter. Kee Klamp® fittings and standard length tubes (1.5, 2.0 and 3.2m) provide a rigid frame around the rooflight. Adjustable clamping rings fix the feet securely to the corners of the rooflight base, which can be up to 4m² in area.

COMPONENT SPECIFICATION

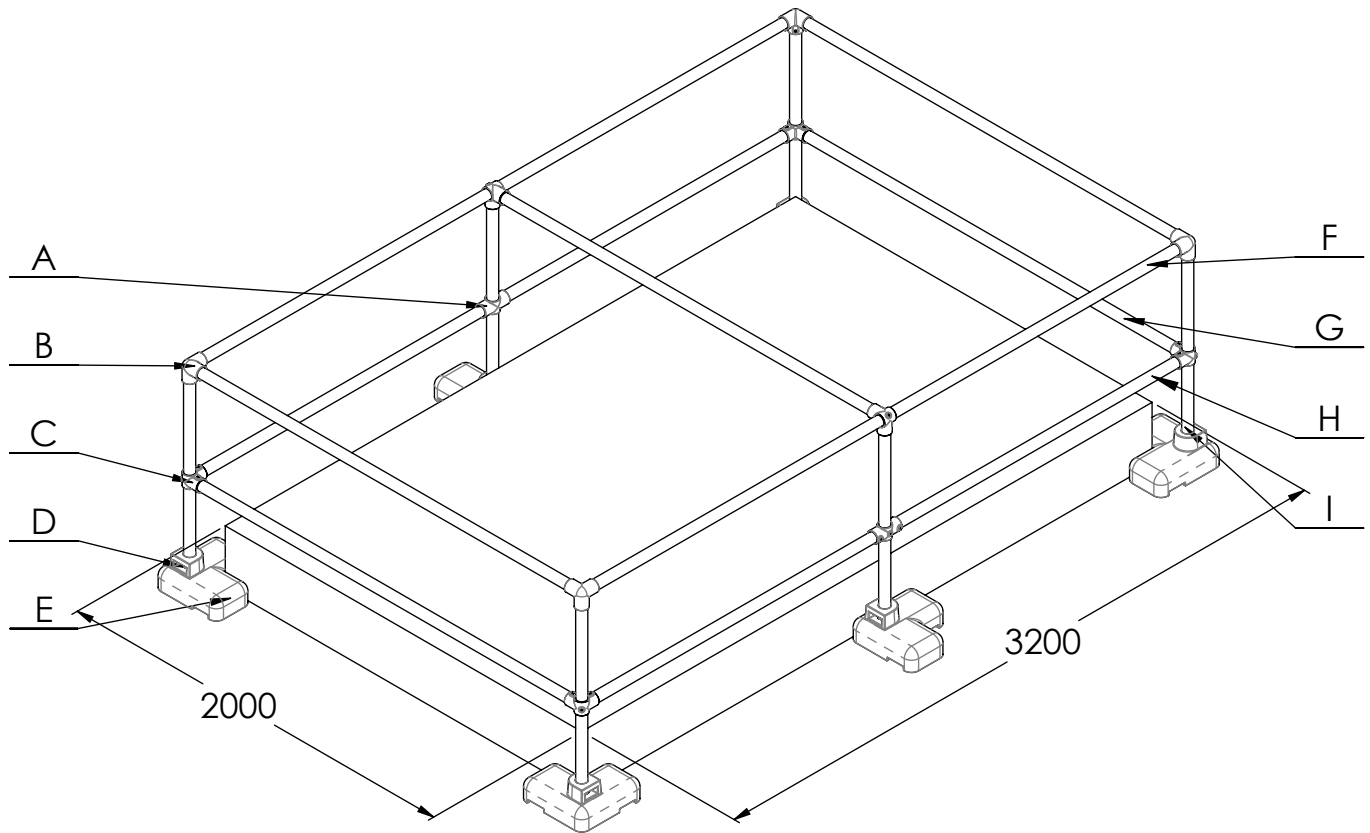
| | |
|----------|--|
| Material | MALLEABLE CAST IRON, MILD STEEL, PVC, POLYETHYLENE |
| Finish | GALVANISED, NATURAL |
| Weight | 122,5 kg |

Technical Datasheet No: 0005

KDK3 - KEE DOME KWIK KIT

Part No: KDK324010

Short Part No: KDK3



| ITEM NO. | DESCRIPTION | QTY. | LENGTH |
|----------|----------------------------|------|--------|
| A | 26-8 TWO SOCKET CROSS | 2 | |
| B | 20-8 SIDE OUTLET ELBOW | 4 | |
| C | 21-8 SIDE OUTLET TEE | 6 | |
| D | 75-8 COLLAR | 6 | |
| E | 250-8 SKYLIGHT BASE WEIGHT | 6 | |
| F | RAIL SIZE 8 | 2 | 3350 |
| G | RAIL SIZE 8 | 5 | 2150 |
| H | RAIL SIZE 8 | 4 | 1650 |
| I | UPRIGHT SIZE 8 | 6 | 1030 |

APPLICATION

The Kee Dome® range has been designed specifically to provide protection for personnel accessing near to fragile rooflights whilst carrying out maintenance or inspections on a flat roof. The system is modular in design. The system is a modular design and features recycled PVC bases which lock the posts into position around the rooflight's perimeter. Kee Klamp® fittings and standard length tubes (1.5, 2.0 and 3.2m) provide a rigid frame around the rooflight. Adjustable clamping rings fix the feet securely to the corners of the rooflight base, which can be up to 4m² in area.

COMPONENT SPECIFICATION

| | |
|----------|--|
| Material | MALLEABLE CAST IRON, MILD STEEL, PVC, POLYETHYLENE |
| Finish | GALVANISED, NATURAL |
| Weight | 180 kg |

Issue Date: 21/06/2017

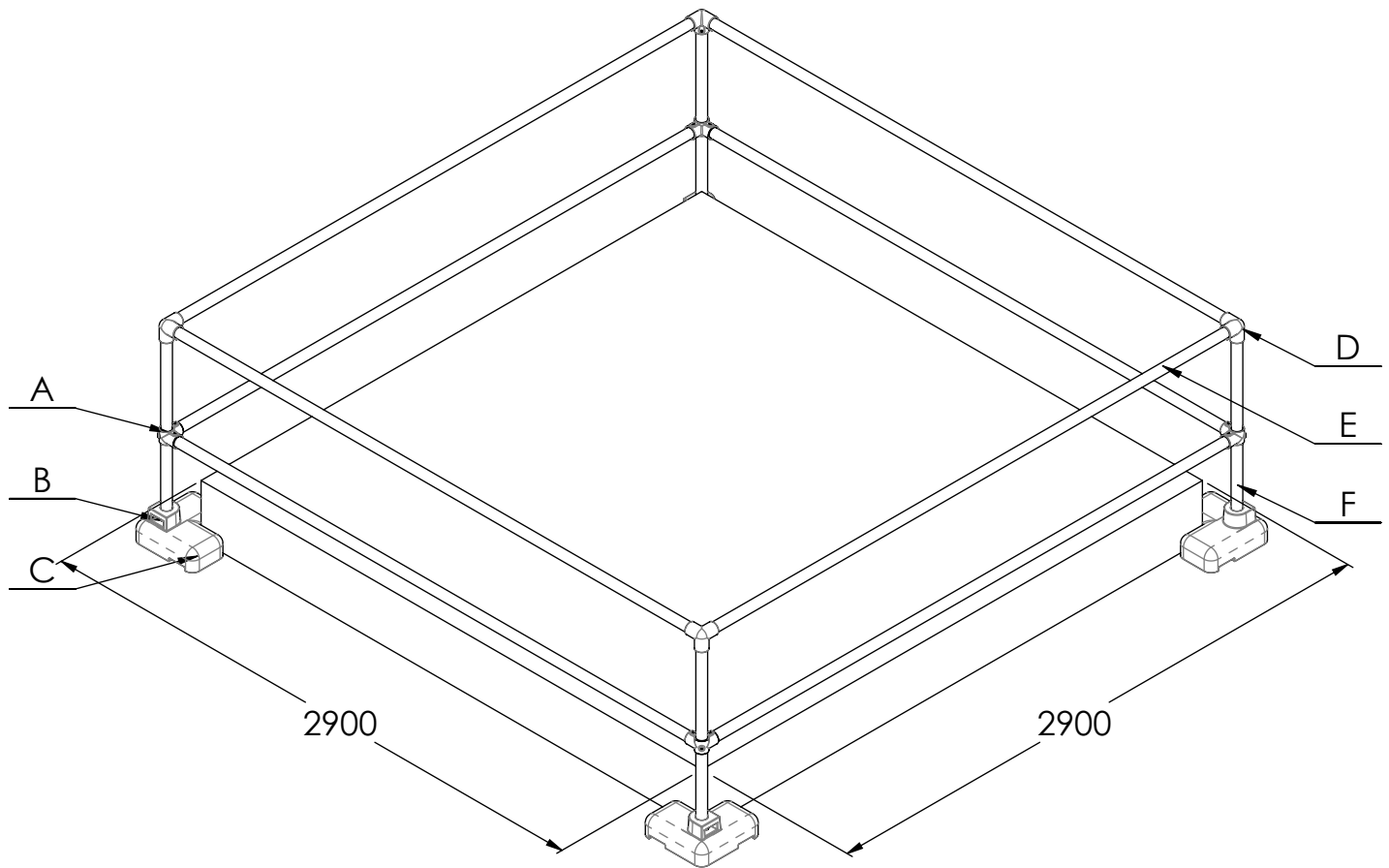
Issue No: 2

Technical Datasheet No: 0006

KDK32 - KEE DOME 3.2m Square

Part No: KDK320010

Short Part No: KDK32



| ITEM NO. | DESCRIPTION | QTY. | LENGTH |
|----------|----------------------------|------|--------|
| A | 21-8 SIDE OUTLET TEE | 4 | |
| B | 75-8 COLLAR | 4 | |
| C | 250-8 SKYLIGHT BASE WEIGHT | 4 | |
| D | 20-8 SIDE OUTLET ELBOW | 4 | |
| E | RAIL SIZE 8 | 8 | 3050 |
| F | UPRIGHT SIZE 8 | 4 | 1030 |

APPLICATION

The Kee Dome® range has been designed specifically to provide protection for personnel accessing near to fragile rooflights whilst carrying out maintenance or inspections on a flat roof. The system is modular in design. The system is a modular design and features recycled PVC bases which lock the posts into position around the rooflight's perimeter. Kee Klamp® fittings and standard length tubes (1.5, 2.0 and 3.2m) provide a rigid frame around the rooflight. Adjustable clamping rings fix the feet securely to the corners of the rooflight base, which can be up to 4m² in area.

COMPONENT SPECIFICATION

| | |
|----------|--|
| Material | MALLEABLE CAST IRON, MILD STEEL, PVC, POLYETHYLENE |
| Finish | GALVANISED, NATURAL |
| Weight | 186 kg |

Issue Date: 21/06/2017

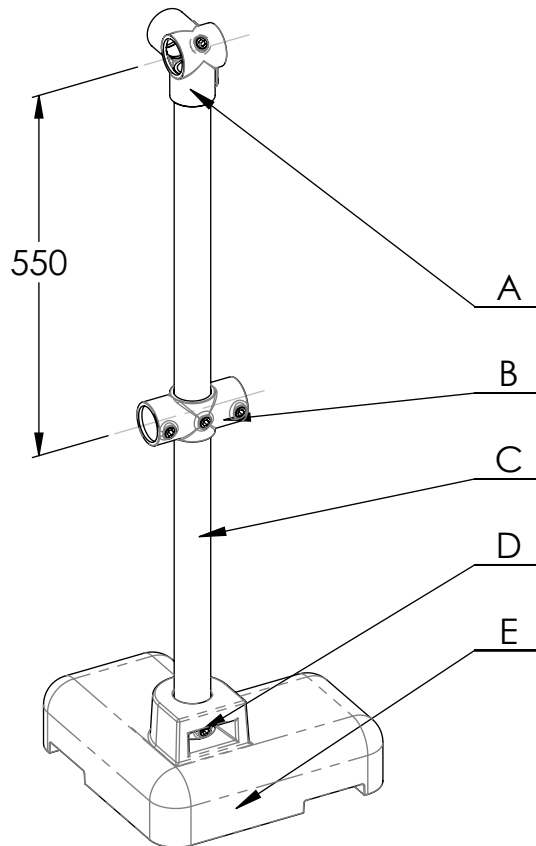
Issue No: 2

Technical Datasheet No: 0011

KEEDOME CORNER UPRIGHT ASSEMBLY

Part No: 025180180

Short Part No: KDU



| ITEM NO. | DESCRIPTION | QTY. | LENGTH |
|----------|----------------------------|------|--------|
| A | 21-8 SIDE OUTLET TEE | 1 | |
| B | 26-8 TWO SOCKET CROSS | 1 | |
| C | RAIL SIZE 8 | 1 | 1100 |
| D | 75-8 COLLAR | 1 | |
| E | 250-8 SKYLIGHT BASE WEIGHT | 1 | |

APPLICATION

The Kee Dome® range has been designed specifically to provide protection for personnel accessing near to fragile rooflights whilst carrying out maintenance or inspections on a flat roof. The system is modular in design. The system is a modular design and features recycled PVC bases which lock the posts into position around the rooflight's perimeter. Kee Klamp® fittings and standard length tubes (1.5, 2.0 and 3.2m) provide a rigid frame around the rooflight. Adjustable clamping rings fix the feet securely to the corners of the rooflight base, which can be up to 4m² in area.

COMPONENT SPECIFICATION

| | |
|----------|--|
| Material | MALLEABLE CAST IRON, MILD STEEL, PVC, POLYETHYLENE |
| Finish | GALVANISED, NATURAL |
| Weight | 15,2 kg |

Issue Date: 21/06/2017

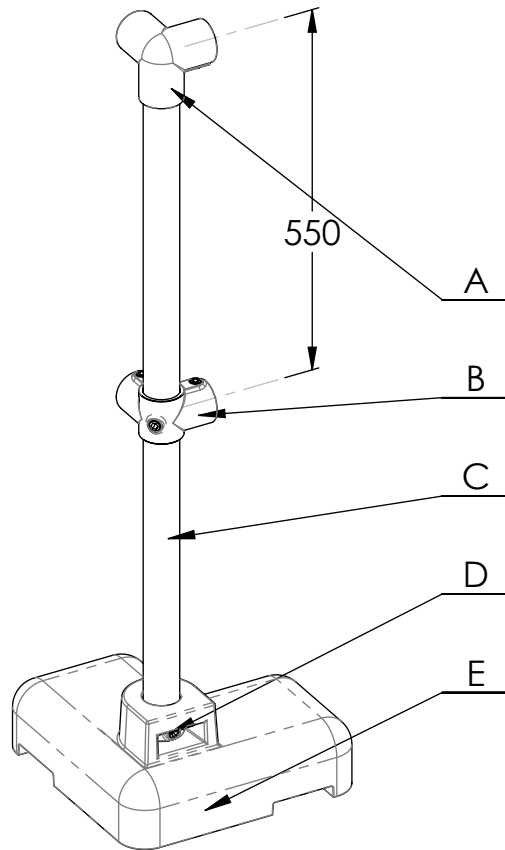
Issue No: 2

Technical Datasheet No: 0012

KEEDOME INTERMEDIATE UPRIGHT ASSEMBLY

Part No: 025280180

Short Part No: KDU-INT



| ITEM NO. | DESCRIPTION | QTY. | LENGTH |
|----------|----------------------------|------|--------|
| A | 20-8 SIDE OUTLET ELBOW | 1 | |
| B | 21-8 SIDE OUTLET TEE | 1 | |
| C | RAIL SIZE 8 | 1 | 1100 |
| D | 75-8 COLLAR | 1 | |
| E | 250-8 SKYLIGHT BASE WEIGHT | 1 | |

APPLICATION

The Kee Dome® range has been designed specifically to provide protection for personnel accessing near to fragile rooflights whilst carrying out maintenance or inspections on a flat roof. The system is modular in design. The system is a modular design and features recycled PVC bases which lock the posts into position around the rooflight's perimeter. Kee Klamp® fittings and standard length tubes (1.5, 2.0 and 3.2m) provide a rigid frame around the rooflight. Adjustable clamping rings fix the feet securely to the corners of the rooflight base, which can be up to 4m² in area.

COMPONENT SPECIFICATION

| | |
|----------|--|
| Material | MALLEABLE CAST IRON, MILD STEEL, PVC, POLYETHYLENE |
| Finish | GALVANISED, NATURAL |
| Weight | 15,2 kg |

Issue Date: 21/06/2017

Issue No: 2