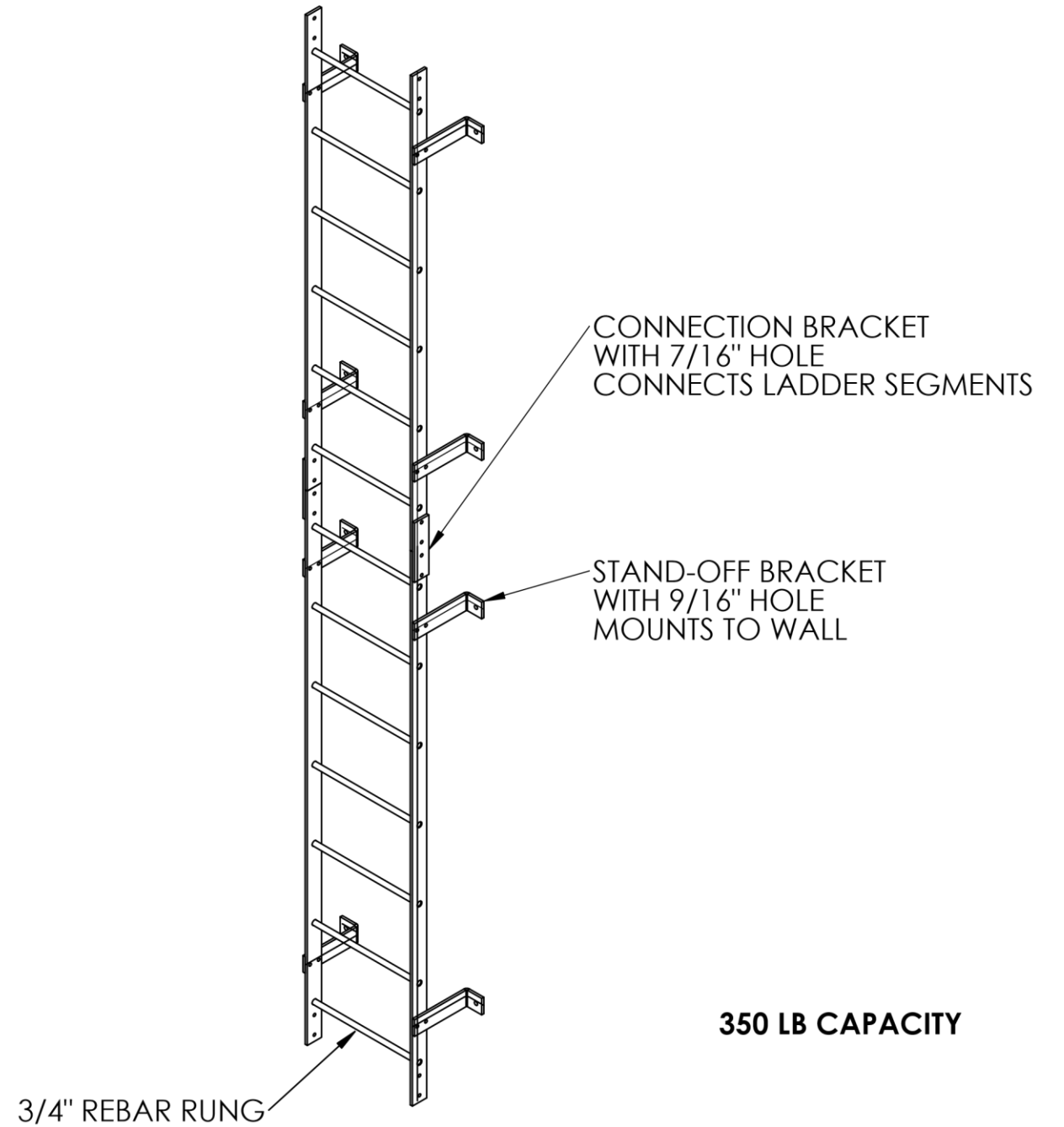
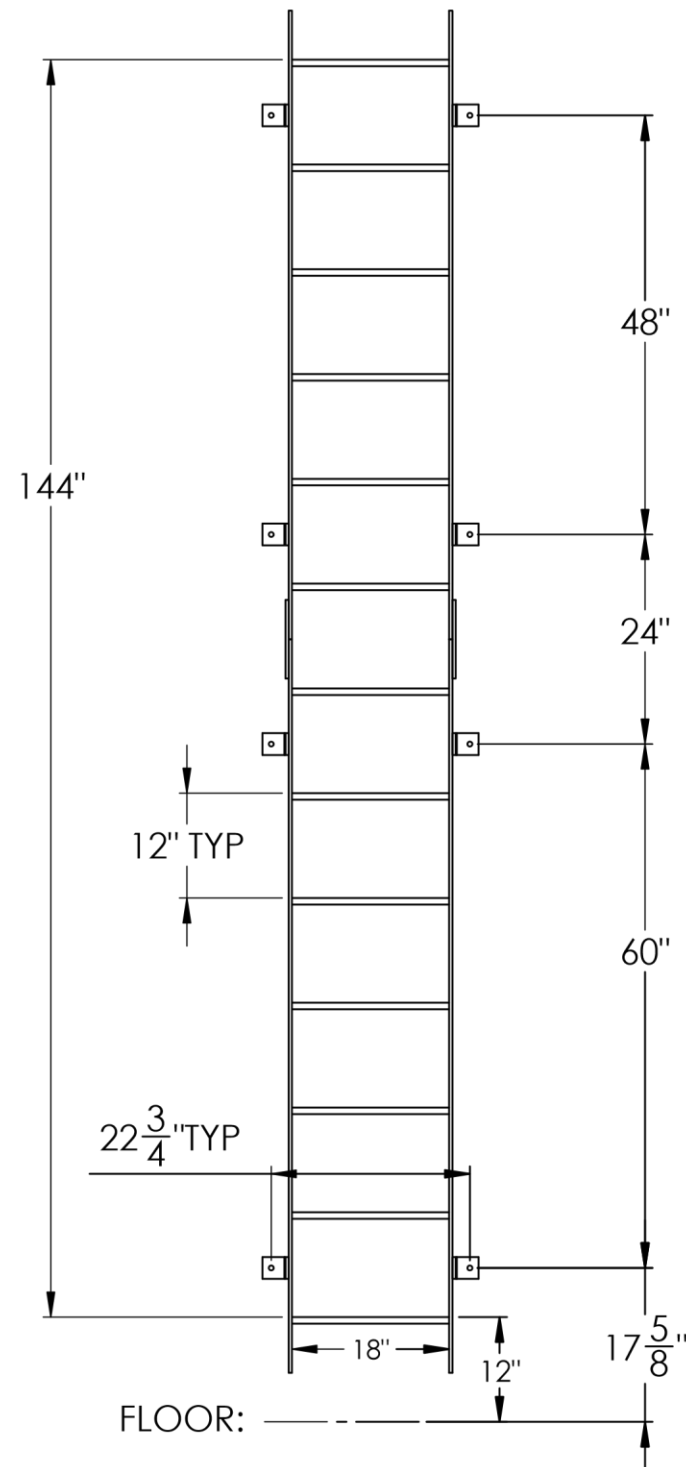
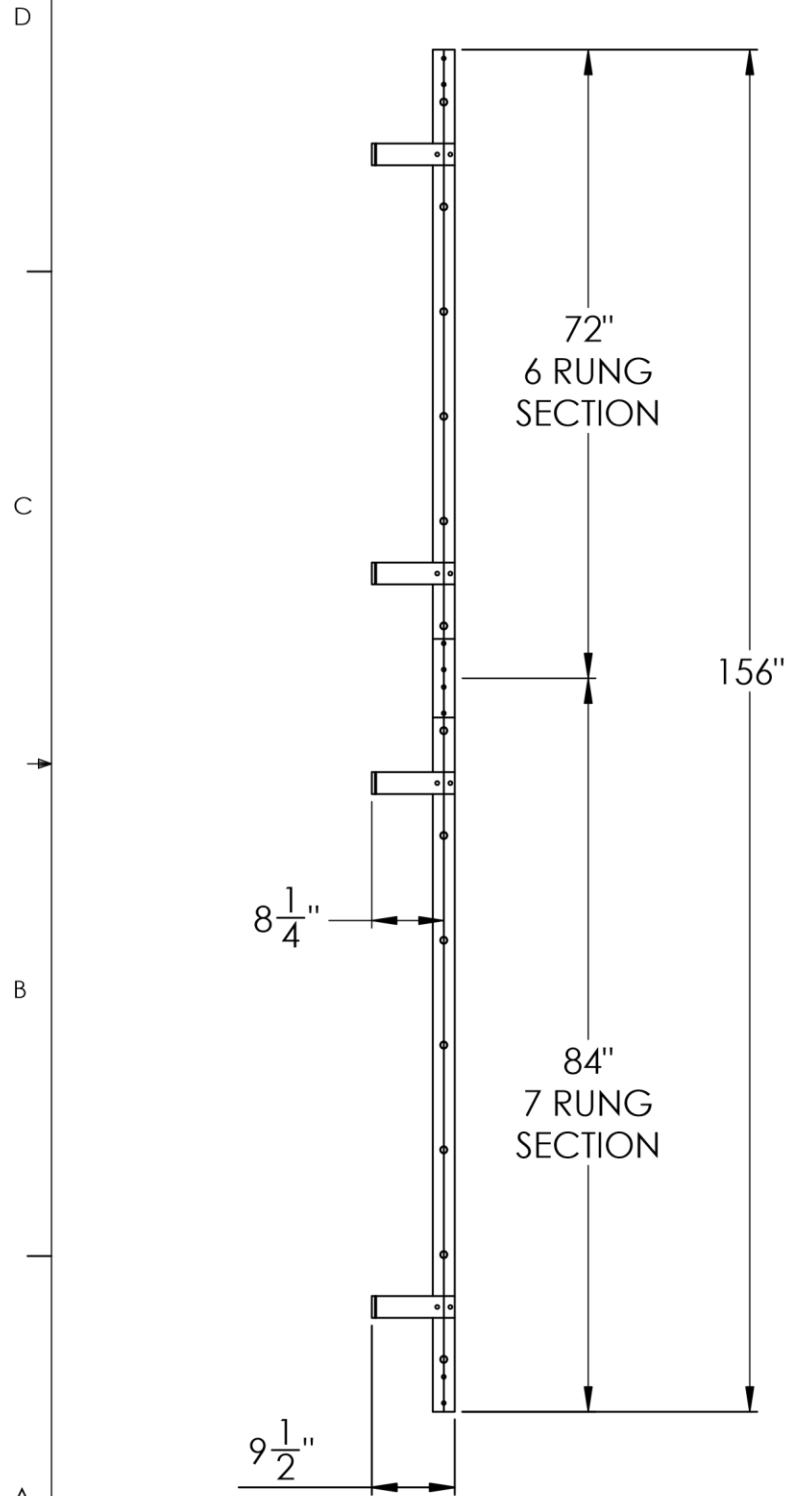


8 7 6 5 4 3 2 1

WLFS0113-Y:

- 1 6-RUNG LADDER SECTION
- 1 7-RUNG LADDER SECTION



APPROVAL SIGNATURE:		TITLE: WLFS0113-Y		
DATE:		REV 00		
PROPRIETARY AND CONFIDENTIAL THE INFORMATION CONTAINED IN THIS DRAWING IS THE SOLE PROPERTY OF THE MANUFACTURER. ANY REPRODUCTION IN PART OR AS A WHOLE WITHOUT THE WRITTEN PERMISSION OF THE MANUFACTURER IS PROHIBITED.	LEAD TIME	TBD	SIZE	DWG. NO.
	MATERIAL	Steel	B	WLFS0113-Y
	FINISH	Yellow	SCALE: 1:20	WEIGHT: 135.903
DO NOT SCALE DRAWING		DRAWN	KSR	5/23/22 SHEET 1 OF 1

8 7 6 5 4 3 2 1