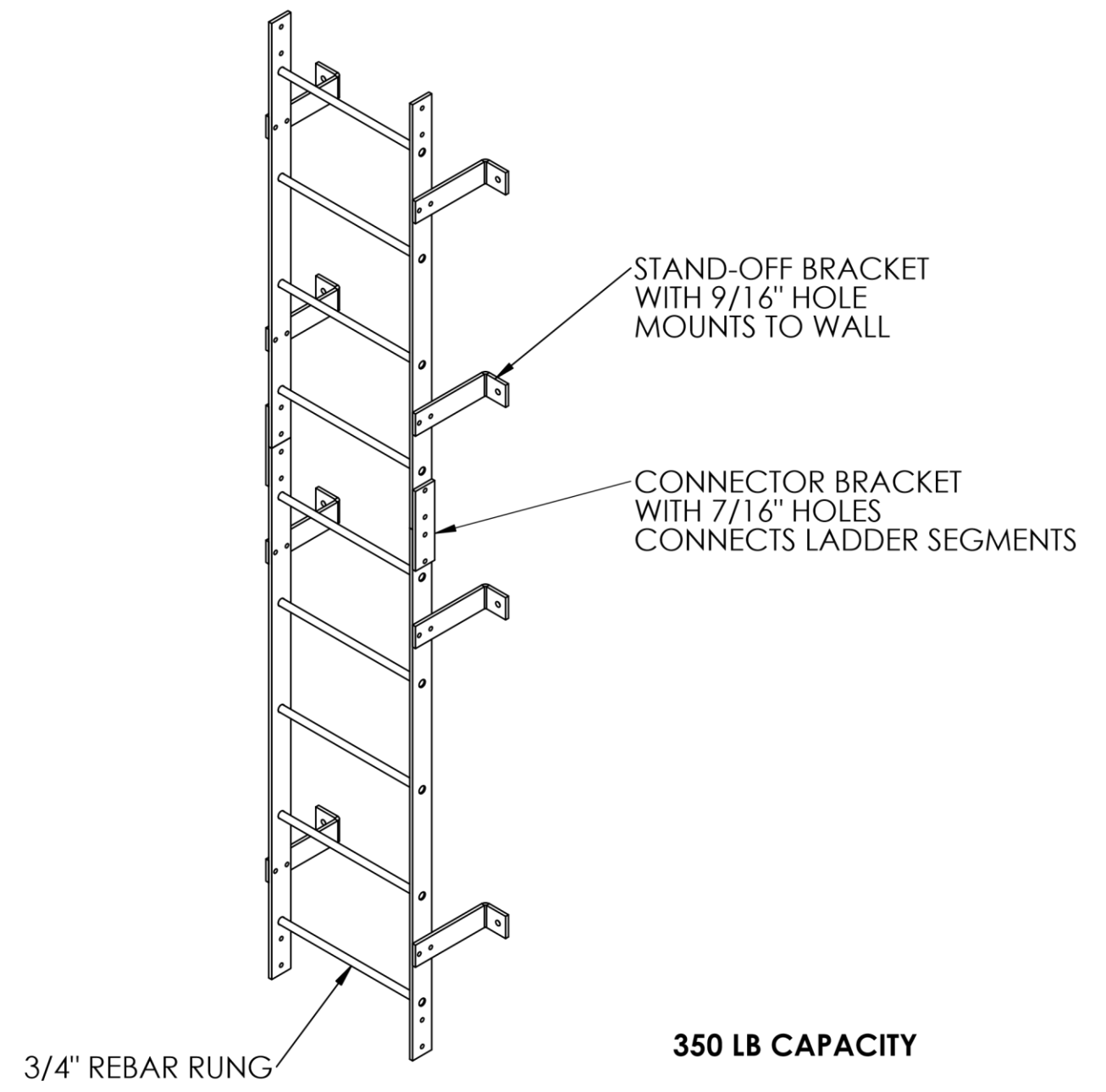
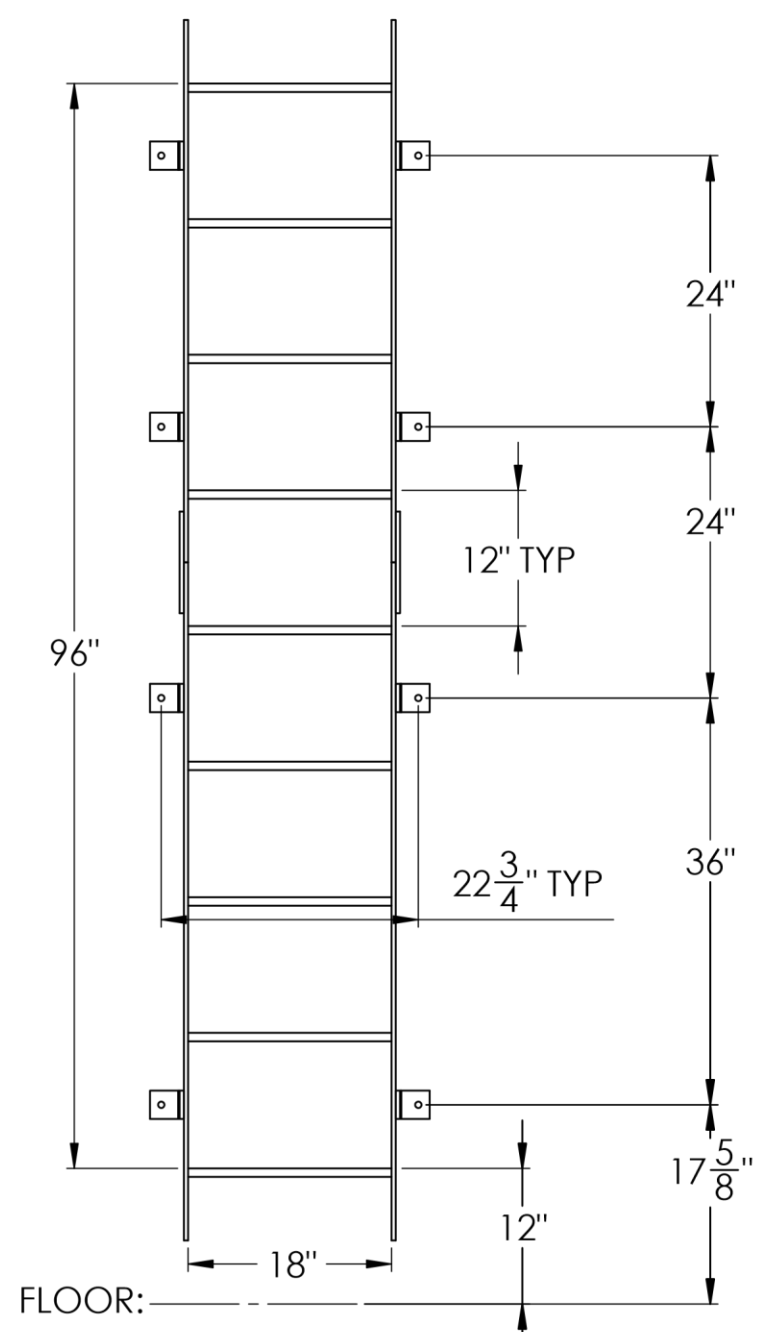
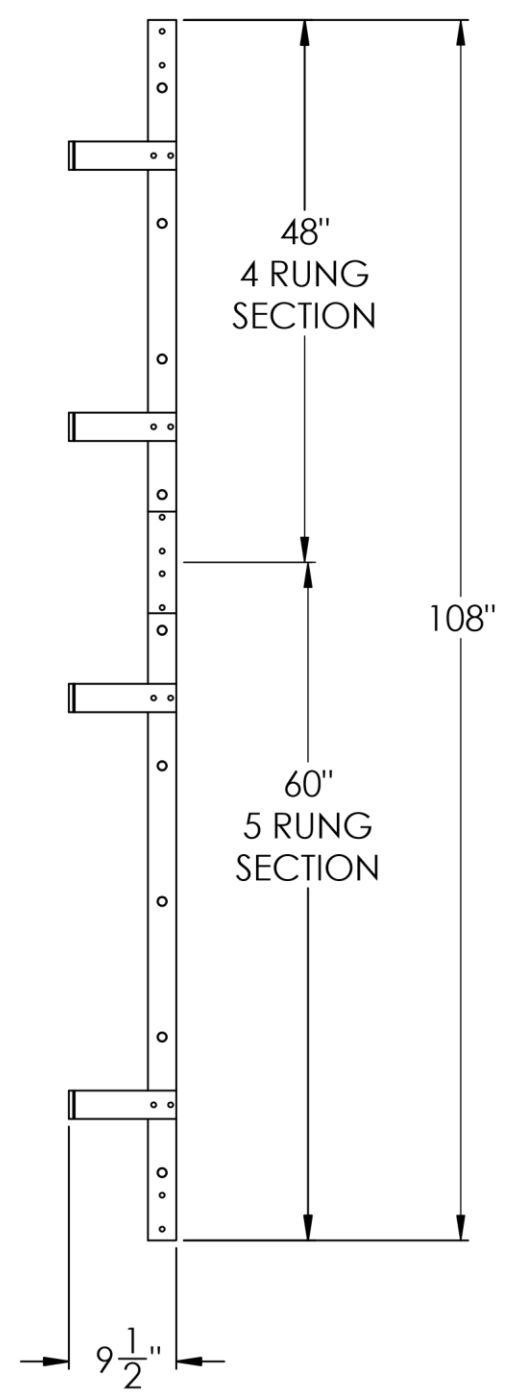


8 7 6 5 4 3 2 1

- WLFS0109-Y:
- 1 4-RUNG LADDER SECTION
  - 1 5-RUNG LADDER SECTION

D  
C  
B  
A



8 7 6 5 4 3 2 1

|  |  |                                 |                 |                        |         |              |
|--|--|---------------------------------|-----------------|------------------------|---------|--------------|
| APPROVAL SIGNATURE:  |  |                                 |                 | TITLE:<br>WLFS0109-Y   |         |              |
| DATE:  |  |                                 |                 | SIZE<br><b>B</b>       |         |              |
| PROPRIETARY AND CONFIDENTIAL<br>THE INFORMATION CONTAINED IN THIS DRAWING IS THE SOLE PROPERTY OF THE MANUFACTURER. ANY REPRODUCTION IN PART OR AS A WHOLE WITHOUT THE WRITTEN PERMISSION OF THE MANUFACTURER IS PROHIBITED. |  | LEAD TIME<br>MATERIAL<br>FINISH |                 | DWG. NO.<br>WLFS0109-Y |         | REV          |
| DO NOT SCALE DRAWING   |  | DRAWN<br>KSR                    | DATE<br>5/24/22 | SCALE: 1:15            | WEIGHT: | SHEET 1 OF 1 |