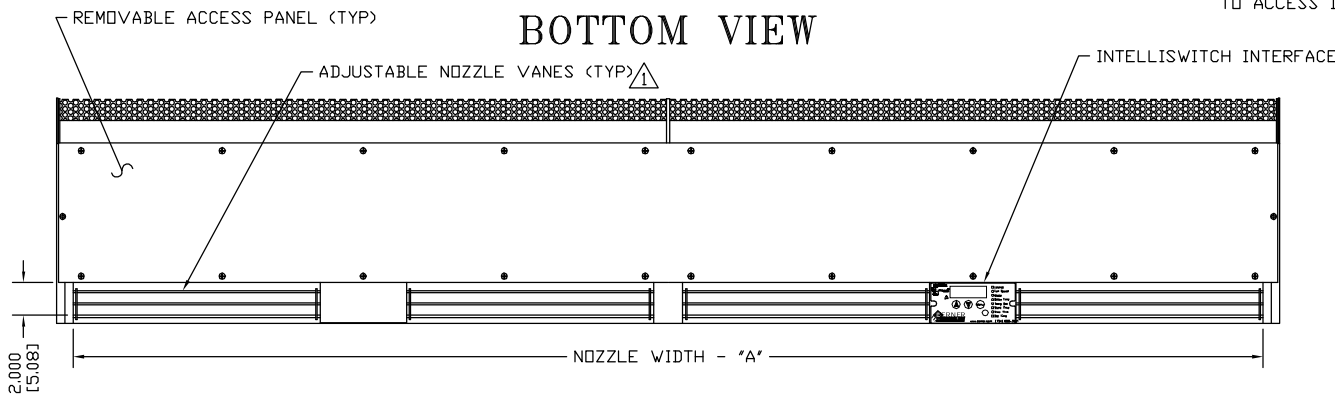
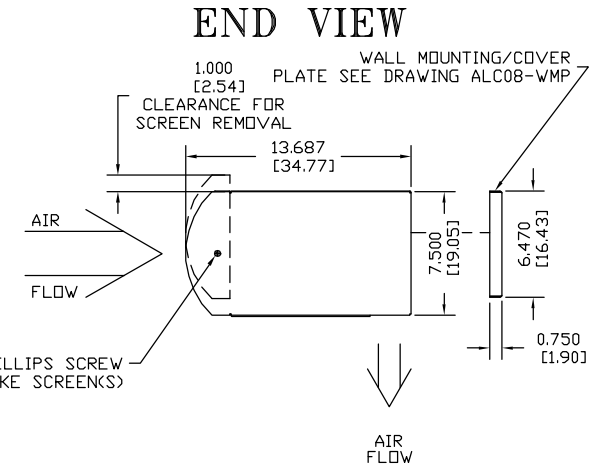
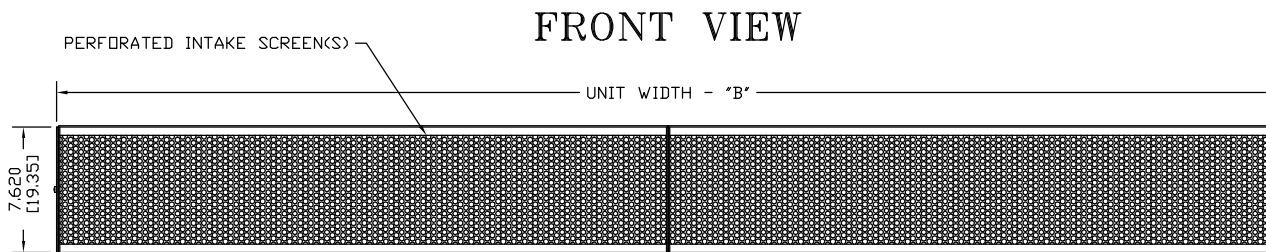


ALC08 ELECTRIC HEATED



NOTES:

- ① AIR CURTAIN MUST BE INSTALLED SO AIR STREAM IS NOT OBSTRUCTED WHEN DEFLECTED 20° TO EITHER SIDE OF C .
- ② ELECTRICAL CONNECTIONS TO BE FLEXIBLE.
- ③ FIELD VERIFY DIMENSIONS.
- ④ ANCHORS TO SUPPORTING STRUCTURE BY OTHERS.
- ⑤ ADEQUACY OF SUPPORTING STRUCTURE IS TO BE VERIFIED BY A PROFESSIONAL STRUCTURAL ENGINEER.
- ⑥ LETTER 'E' IN MODEL NUMBER DESIGNATES ELECTRIC HEATED UNIT.
- △ DIMENSIONS IN INCHES (CENTIMETERS).

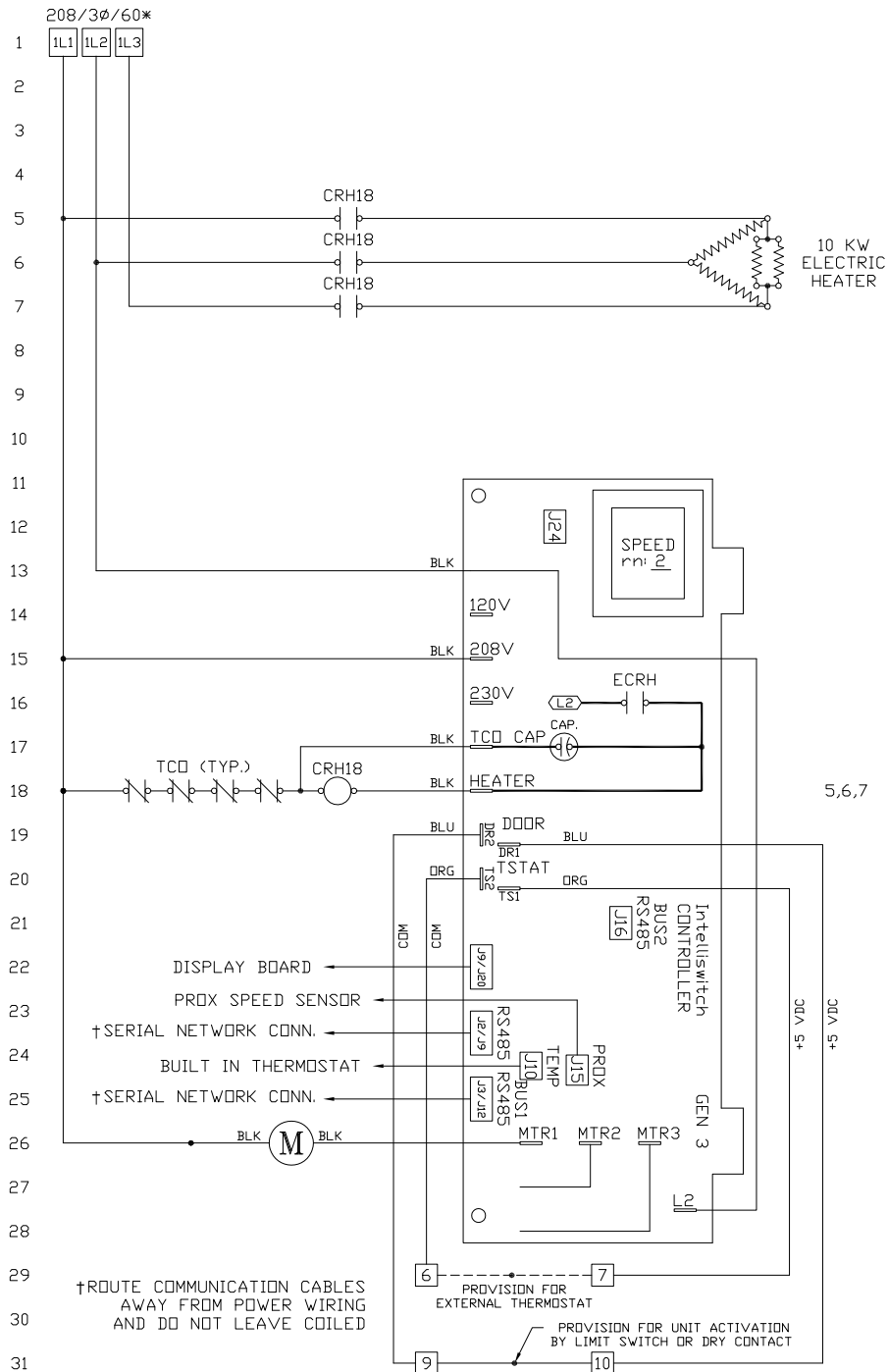
MODEL △	NOZZLE WIDTH "A"	UNIT WIDTH "B"	MOUNTING WIDTH "C"	MOUNTING WIDTH "D"
ALC08-1030E	28.00 [71.12]	30.00 [76.20]	26.75 [67.95]	-
ALC08-1036E	35.25 [89.54]	37.25 [94.62]	34.00 [86.36]	-
ALC08-1042E	41.25 [104.78]	43.25 [109.86]	40.00 [101.60]	-
ALC08-1048E	47.25 [120.02]	49.25 [125.10]	46.00 [116.84]	-
ALC08-1060E	59.00 [149.86]	61.00 [154.94]	57.75 [146.69]	-
ALC08-1072E	72.25 [183.59]	74.25 [188.60]	71.00 [180.34]	-
ALC08-2084E	84.25 [213.00]	86.25 [219.08]	83.00 [210.82]	40.00 [101.60]
ALC08-2096E	96.25 [244.48]	98.25 [249.56]	95.00 [241.30]	46.00 [116.84]
ALC08-2120E	119.75 [304.17]	121.75 [309.25]	118.50 [300.99]	57.75 [146.69]

PROJECT		
LOCATION		
ARCHITECT		
ENGINEER		
DWG. NO.	ALC08-ELE	TITLE: BERNER
DATE	28MAR2016	MODEL ALC08 AIR CURTAIN
BY	S. Beil	ELECTRIC HEATED SYSTEM
REPLACES	21MAY14	
BY	S. Beil	BERNER INTERNATIONAL CORP. NEW CASTLE, PA.

CAUTION: ELECTRIC SHOCK HAZARD.

DRAWING ID #	MAX1036EXV-100-00M-AHB-00		
TITLE	WIRING DIAGRAM FOR 1/5 HP, 1 MOTOR 36" & 42" ELECTRIC HEATED AIR CURTAIN		
DRAWN BY	I. ABLETT	DATE	17APR09
REPLACES		DATE	
DRAWING NO.	STD 1F5-INT	CODE	Z302

----- FACTORY WIRING
 - - - - - FIELD WIRING
 # CONTINUED TO LINE #
 # TERMINAL STRIP



NOTES:

- IF NOT SUPPLIED WITH UNIT; INSTALLER MUST PROVIDE A DISCONNECTING MEANS AND A BRANCH CIRCUIT PROTECTION DEVICE.
- WIRE IN ACCORDANCE WITH LOCAL CODES, N.E.C. OR C.E.C.
- UNIT TO BE SERVICED BY QUALIFIED PERSONNEL ONLY.
- DISCONNECT POWER WHENEVER SERVICING UNIT,
- MAXIMUM RATING FOR BRANCH CIRCUIT PROTECTION DEVICE:
 208 VOLT CIRCUIT #1: MINIMUM CIRCUIT AMP DRAW: 29.5 AMPS
 MINIMUM CIRCUIT AMPACITY: 36.9 AMPS
 MAX. PROTECTION DEVICE: 40 AMPS

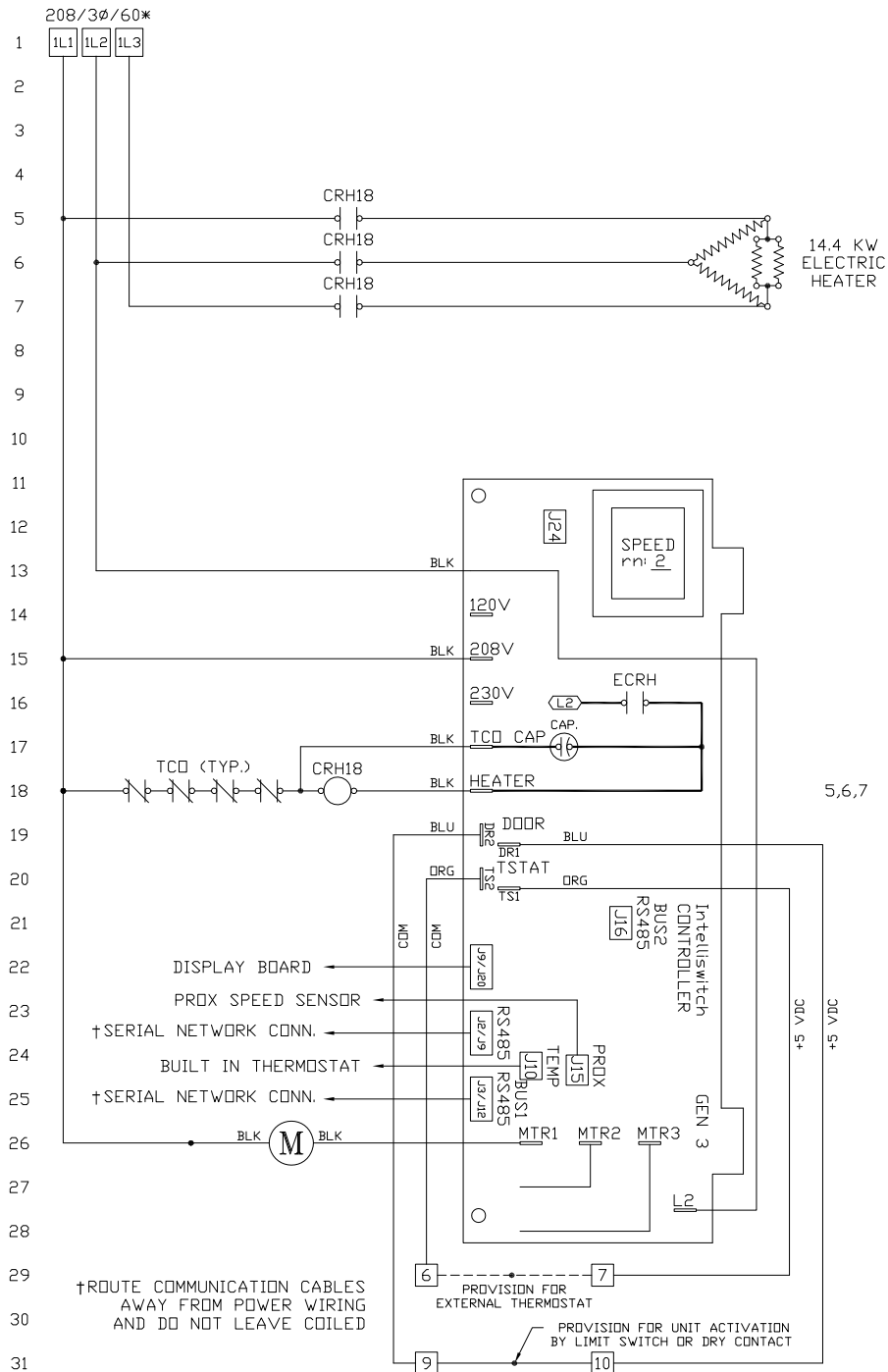
ALC08-1036EX-100

* SUITABLE FOR 50HZ OPERATION

CAUTION: ELECTRIC SHOCK HAZARD.

DRAWING ID #	MAX1048EXV-144-00M-AHB-00		
TITLE	WIRING DIAGRAM FOR 1/5 HP, 1 MOTOR 48" & 60" ELECTRIC HEATED AIR CURTAIN		
DRAWN BY	I. ABLETT	DATE	17APR09
REPLACES		DATE	
DRAWING NO.	STD 1F5-INT	CODE	Z402

----- FACTORY WIRING
 - - - - - FIELD WIRING
 # CONTINUED TO LINE #
 # TERMINAL STRIP



NOTES:

- IF NOT SUPPLIED WITH UNIT; INSTALLER MUST PROVIDE A DISCONNECTING MEANS AND A BRANCH CIRCUIT PROTECTION DEVICE.
- WIRE IN ACCORDANCE WITH LOCAL CODES, N.E.C. OR C.E.C.
- UNIT TO BE SERVICED BY QUALIFIED PERSONNEL ONLY.
- DISCONNECT POWER WHENEVER SERVICING UNIT,
- MAXIMUM RATING FOR BRANCH CIRCUIT PROTECTION DEVICE:
 208 VOLT CIRCUIT #1: MINIMUM CIRCUIT AMP DRAW: 41.7 AMPS
 MINIMUM CIRCUIT AMPACITY: 52.1 AMPS
 MAX. PROTECTION DEVICE: 60 AMPS

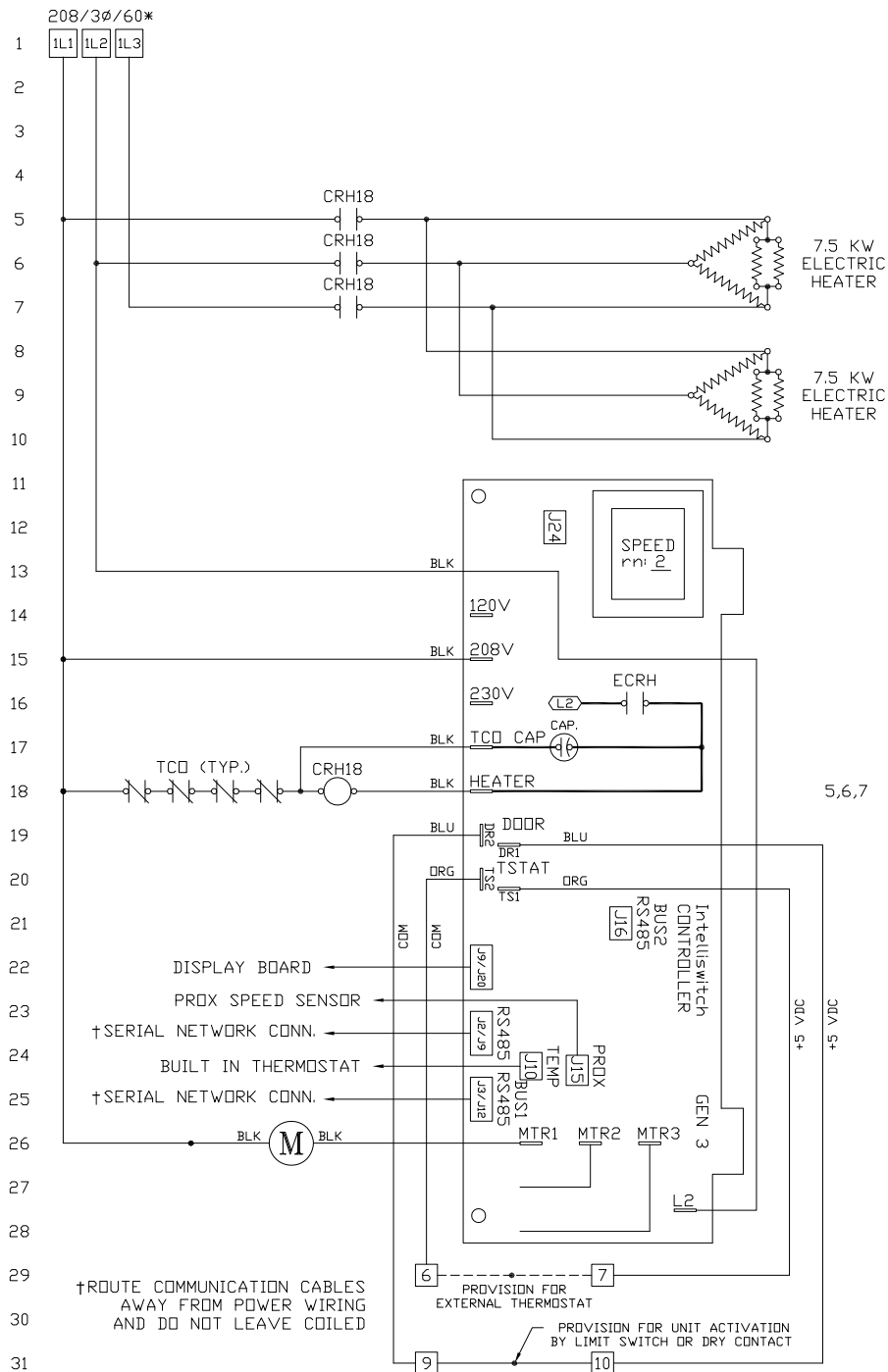
ALC08-1048EX-144

* SUITABLE FOR 50HZ OPERATION

CAUTION: ELECTRIC SHOCK HAZARD.

DRAWING ID #	MAXI072EXV-150-00M-AHB-00		
TITLE	WIRING DIAGRAM FOR 1/5 HP, 1 MOTOR 72" ELECTRIC HEATED AIR CURTAIN		
DRAWN BY	I. ABLETT	DATE	17APR09
REPLACES		DATE	
DRAWING NO.	STD 1F5-INT	CODE	Z777

----- FACTORY WIRING
 - - - - - FIELD WIRING
 # CONTINUED TO LINE #
 # TERMINAL STRIP



5,6,7

NOTES:

- IF NOT SUPPLIED WITH UNIT; INSTALLER MUST PROVIDE A DISCONNECTING MEANS AND A BRANCH CIRCUIT PROTECTION DEVICE.
- WIRE IN ACCORDANCE WITH LOCAL CODES, N.E.C. OR C.E.C.
- UNIT TO BE SERVICED BY QUALIFIED PERSONNEL ONLY.
- DISCONNECT POWER WHENEVER SERVICING UNIT,
- MAXIMUM RATING FOR BRANCH CIRCUIT PROTECTION DEVICE:
 208 VOLT CIRCUIT #1: MINIMUM CIRCUIT AMP DRAW: 43.3 AMPS
 MINIMUM CIRCUIT AMPACITY: 54.1 AMPS
 MAX. PROTECTION DEVICE: 60 AMPS

ALC08-1072EX-150

* SUITABLE FOR 50HZ OPERATION